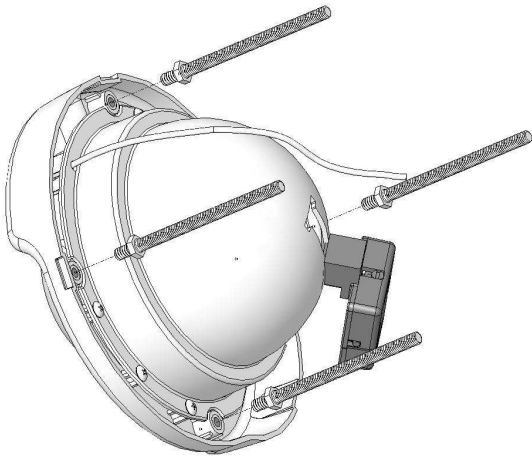
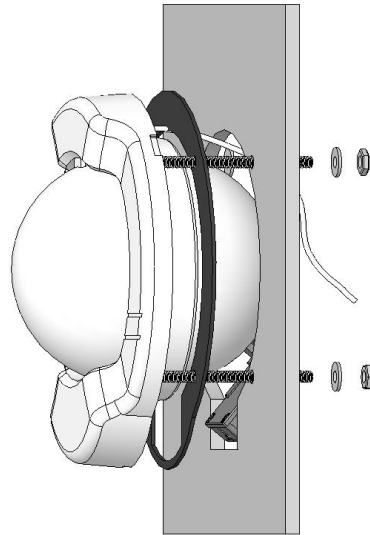


## SS-PR2

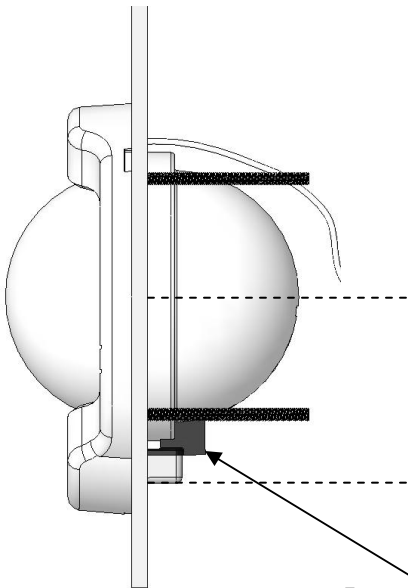


**Insert Mounting Studs, provided**

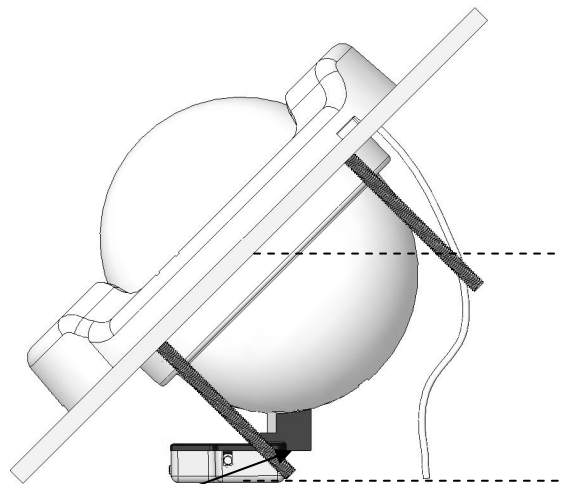


**Mount Compass**  
(See Mounting Template for hole dimensions)

### Vertical Mounting



### Angled Mounting



Loosen the clamp screw to  
Level the Module

### **Level the Compensator Module**

#### Notes

- To adjust the SS-PR2 for onboard deviation please refer to the compensation instructions that came with your compass.
- The Compensator slots can best be accessed from behind the dash.
- During compensation it may be necessary to loosen and move the compensator module to access the slots. Make sure you return the module to level and tighten the clamp screw when done.