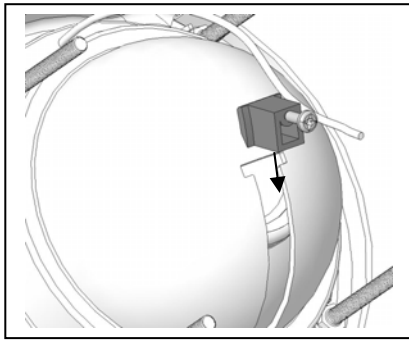
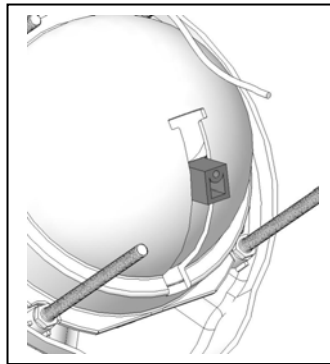


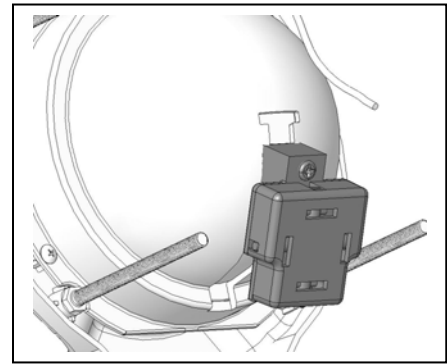
Compensator Module Installation and Leveling Instructions



Slide the bracket into the Slot.
*We suggest using the screw
as a small handle.*

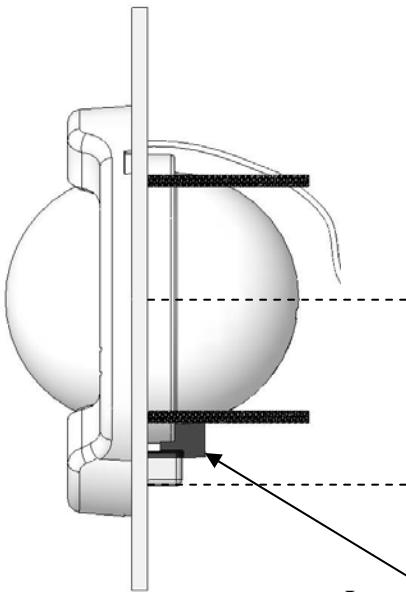


Position the bracket as
shown.
*You can hold in place using
the internal bladder.*

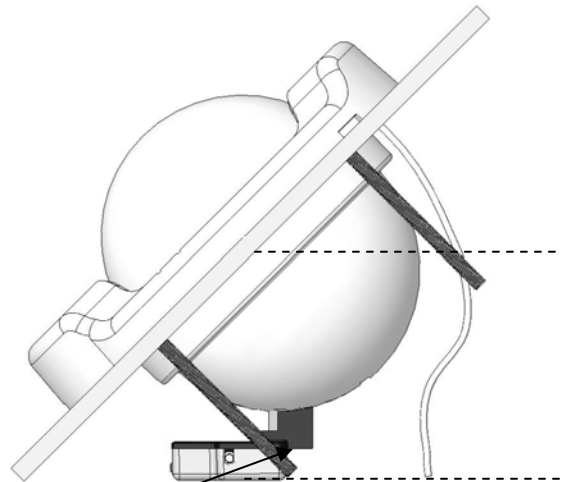


Install the Compensator
Module as shown.

Vertical Mounting



Angled Mounting



Loosen the clamp screw to
level the Module

Level the Compensator Module

Notes

- To adjust the Compass for onboard deviation please refer to the compensation instructions that came with you compass.
- The Compensator slots can best be accessed from behind the dash.
- During compensation it may be necessary to loosen and move the compensator module to access the slots. Make sure you return the module to level and tighten the clamp screw when done.