
Sport & SportAbout

Production History (rev info)

X-10's (1991 to present)

- 1999: (Rev 1) Changed lighting from incandescent bulb to LED.
- 2001: (No Rev) Re-designed 5-degree dials for better readability.
- 2001: (No Rev) Changed dial in X-10-A (automotive) to the new 5-degree dial.
- 2001: (Rev 1) Changed to Isopar L dampening fluid.
- 2004: (No Rev) Reintroduced the 10-degree dial on the X-10-A (automotive)

X-11's (1995 to present)

- 2001: (no serial number) Re-designed 5-degree dial for better readability.
- 2001: (no serial number) Changed to Isopar L dampening fluid.

X-15's (1997 to 2005)

- 1999: (No Rev) Re-designed nut to allow for thinner bulkhead mounting.
- 2001: (No Rev) Re-designed the 5-degree dial for better readability.
- 2001: (Rev 1) Changed to Isopar L dampening fluid.

X-21's

- 2005: Began production

Repair Tips

Sports feature factory sealed dome/dial/bowl capsule. Most repairs require merely replacing the capsule

X-10's

To disassemble, take a butter knife (or similar tool) and wedge it between the top and bottom housing to the left of the name Ritchie. Pry up until the parts snap open. Repeat this step on the tab to the right of the name Ritchie. This will remove the top housing.

To close, guide the top housing onto the bottom housing so that the rear tabs are in place. Snap the right front side of the top housing down. Repeat with some pressure until the left side snaps down. Guide the light wire through the hole in the lower housing.

X-15's & X-21's

These Models cannot be serviced in the field.

X-11's

The SportAbout capsule is removable from its impact resistant silicon case. Simply peel back the case and pop out the capsule.

The V-notch top cover is removable from the top of the capsule and should be reused on the replacement capsule. When service has been completed, be sure to realign the V-notch top with the lubber line.

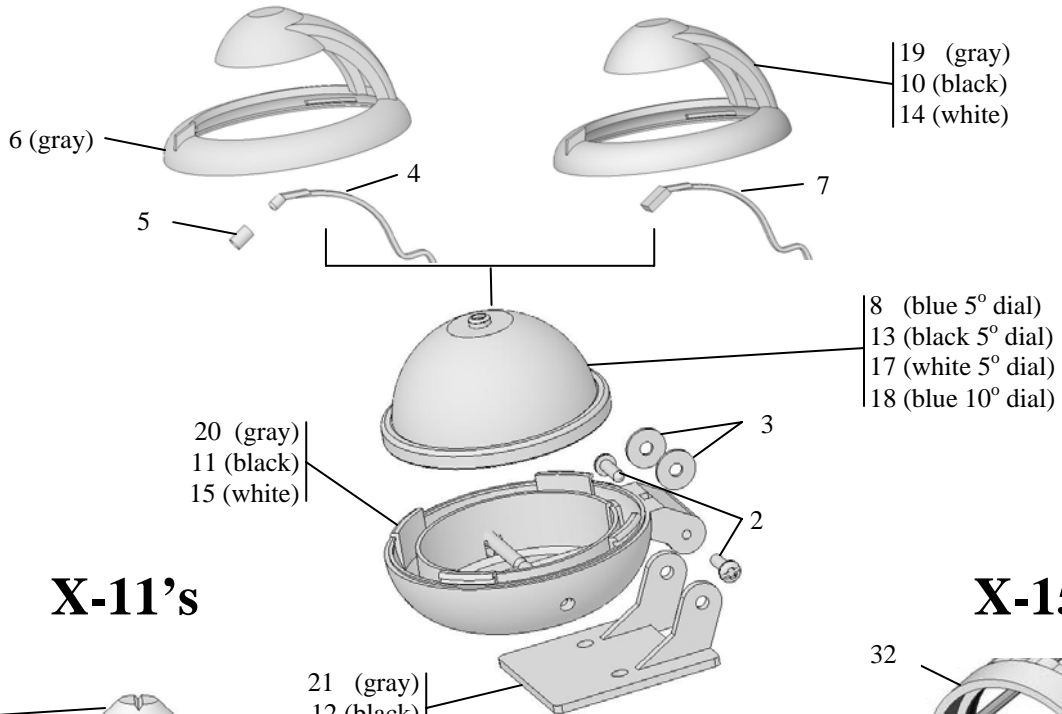
Sport & SportAbout

X-10, X-10-M, X-10-A, X-10B-M, X-10W-M, X-15SBB, X-15VBU, X-15SWW,
X-21BB, X-21BU, X-21WW, X-11-G X-11-Y

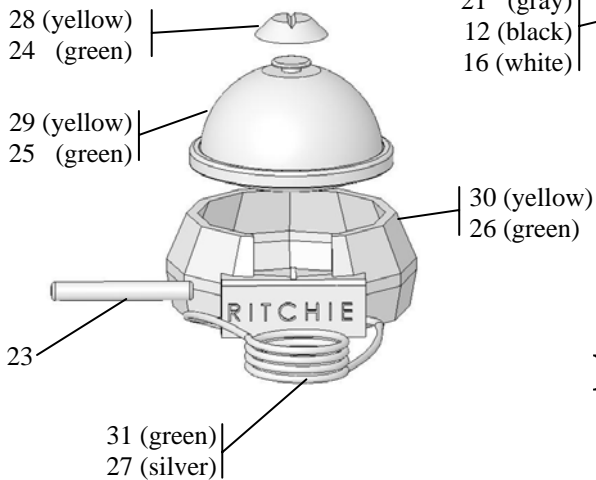
X-10's

1991 to 1999

2000 to present



X-11's

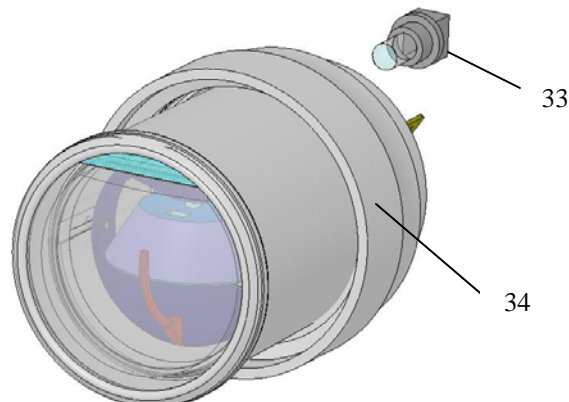


X-15's



Shown without bezel

X-21's



Note: Capsules are not sold separately for the X-15's & X-21's

Sport & SportAbout Part List

2	RS-0018	Screw, # 4 x 3/8 bracket, mounting	all X-10's
3	RS-0021	Washer, rubber	
4	RS-0004 ASY	Light, 14V clear bulb	X-10's
5	RS-0006	Diffuser, light (use w/ clear light)	(1991 to 1999)
6	CS-0015	Top Housing, gray (use w/clear light)	X-10, X-10-A, X-10-M (1991 to 1999)
7	RS-0105 ASY	Light, 14V green LED	X-10's (2000 to present)
8	RS-0007 ASY	Capsule, blue 5° dial	X-10, X-10-M
10	RS-0001 BLK	Top Housing, black	X-10B-M
11	RS-0002 BLK	Bottom housing, black, (with Comps)	
12	RS-0003 BLK	Bracket, universal, black	
13	RS-0126 ASY	Capsule, black 5° dial	
14	RS-0001 WHT	Top Housing, white	X-10W-M
15	RS-0002 WHT	Bottom Housing, white, (with Comps)	
16	RS-0003 WHT	Bracket, Universal, White	
17	RS-0125 ASY	Capsule, white 5° dial	
18	RS-0036 ASY	Capsule, blue 10° dial	X-10-A
19	RS-0001	Top Housing, gray	X-10, X-10A. X-10-M
20	RS-0002	Bottom Housing, gray, (with Comps)	
21	RS-0003	Bracket, universal, gray	
23	RS-0051	Illuminator, chemical green (pkg. of 1)	X-11Y & X-11G
24	RS-0056	Cover, green silicone rubber	X-11G
25	RS-0054 ASY	Capsule, green	
26	RS-0055	Housing, green silicone rubber	
27	RS-0057	Lanyard, silver	
28	RS-0048	Cover, yellow silicone rubber	X-11Y
29	RS-0052 ASY	Capsule, yellow base, white dial	
30	RS-0047	Housing, yellow silicone rubber	
31	RS-0050	Lanyard, green	
32	RS-0072	Mounting Nut	all X-15's
33	RS-0148 GRN	Light Assembly, Green LED	all X-21's
34	RS-0152	Mounting Nut	

Mounting Tape for all the X-10's **PART # RS-0023**

Mounting Gasket for all the X-15's **PART # RS-0088**

Mounting Gasket for all the X-21's **PART # RS-0151**

(This page intentionally left blank)

Production History (rev info)

TR-31's & TR-33's (2001 to present)

2001: Began production

TR-35's

2002: Began production

TR-31's TR-33's & TR-35's (excluding Camo Models (TR-31S & TR-31B))

2004: (Rev 1) Change directional lighting

Repair Tips

Treks feature factory sealed dome/dial/bowl capsule. Most repairs require merely replacing the capsule

TR-31's & TR-33's

To disassemble, apply pressure to the two quadrants at the rear of the compass marked "Press Here". This will snap off the upper cover. If you are having difficulty try alternating pressure between the two points. It may also be helpful to apply pressure in the front quadrants diagonal to the rear points.

TR-35's

To disassemble apply pressure to the four Access portals found on the side of the compass. Apply the pressure one portal at a time using a slotted screw driver. It is not necessary to pry the top off.

All Models

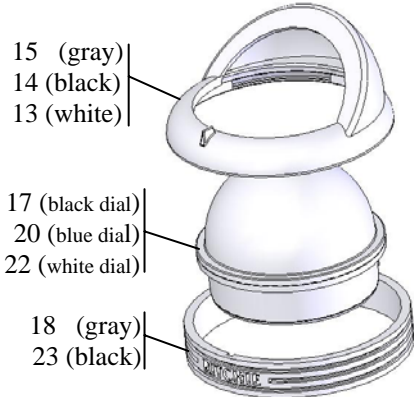
For re-assembly simply snap the upper cover back into place.

If you replace or disturb the light wire make sure it is back in place before re-assembling the compass.

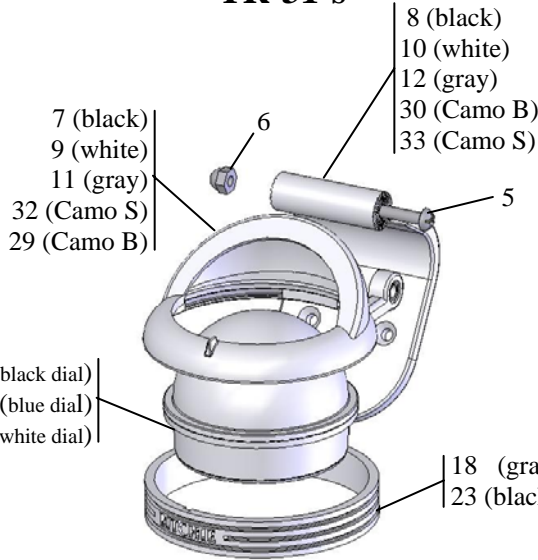
Trek

TR-31, TR-31G, TR-31W, TR-33, TR-33G, TR-33W, TR-35, TR-35G, TR-35W

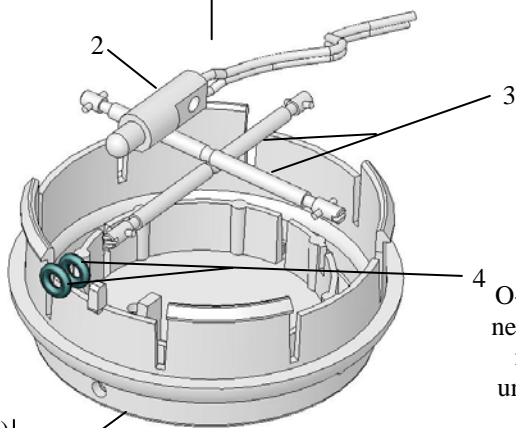
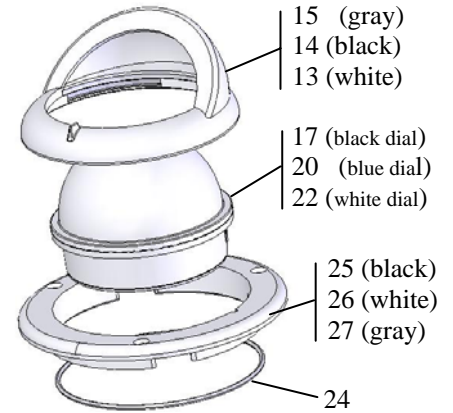
TR-33's



TR-31's



TR-35's

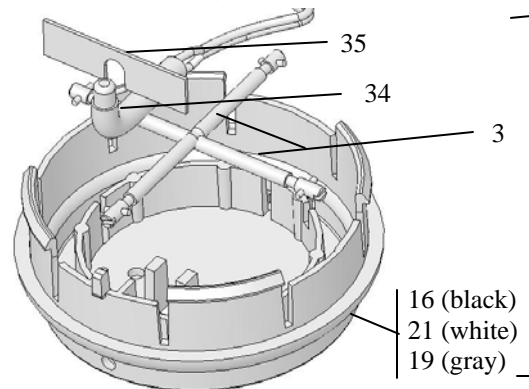


n/a* (black)
n/a* (white)
n/a* (gray)
31 (Camo S)
28 (Camo B)

2001 to 2004
(Camo models to present)

* use new lower housing with new light

O-rings are not needed on flush models and units with new style lights



2004 rev 1 to present

Trek Part List

2	EX-0022 CS	Light socket, wire, and bulb	ALL Treks* (2001 to 2004)
3	TR-0012 MAG	Compensator rod (need 2)	All Treks
4	TR-0020	O-ring, Light Blocker (need 2)	TR-31's & TR-33's (2001 to 2004)
5	TR-0009	Screw 8-32 x 2" Round Head	TR-31, TR-31B, TR-31S, TR-31G & TR-31W
6	TR-0010	Nut 8-32, Acorn	
7	TR-0007 BLK	Upper Housing, Bracket Mount, Black	TR-31
8	TR-0008 BLK	Bracket, Black	
9	TR-0007 WHT	Upper Housing, Bracket Mount, White	TR-31W
10	TR-0008 WHT	Bracket, White	
11	TR-0007 GRY	Upper Housing, Bracket Mount, Gray	TR-31G
12	TR-0008 GRY	Bracket, Gray	
13	TR-0006 WHT	Upper Housing, White	TR-33W & TR-35W
14	TR-0006 BLK	Upper Housing, Black	TR-33 & TR-35
15	TR-0006 GRY	Upper Housing, Gray	TR-33G & TR-35
16	TR-0005 BLK**	Lower Housing, black	TR-31, TR-33 & TR-35
17	TR-0014 ABK	Capsule, 5° dial, Black	TR-31, TR-31B, TR-31S, TR-33 & TR-35
18	TR-0011 GRY	Trim Band, Gray	TR-31 & TR-33
19	TR-0005 GRY**	Lower Housing, Gray	TR-31G, TR-33G & TR-35W
20	TR-0014 ABU	Capsule, 5° dial, Blue	TR-31G, TR-33G & TR-35W
21	TR-0005 WHT**	Lower Housing, White	TR-31W, TR-33W & TR-35W
22	TR-0014 AWT	Capsule, 5° dial, White	TR-31W, TR-33W & TR-35W
23	TR-0011 BLK	Trim Band, Black	TR-31G, TR-31W TR-31B, TR-31S, TR-33G & TR-33W
24	TR-0048	O-ring, (used as a spacer)	TR-35, TR-35G & TR-35W
25	TR-0026 BLK	Bezel, Black	TR-35
26	TR-0026 WHT	Bezel, White	TR-35W
27	TR-0026 GRY	Bezel, Gray	TR-35G
28	TR-0033	Lower Housing, Mossy Oaks®, Break Up®	TR-31B
29	TR-0035	Upper Housing, Mossy Oaks®, Break Up®	
30	TR-0037	Bracket, Mossy Oaks®, Break Up®	
31	TR-0034	Lower Housing, Mossy Oaks®, Shadow Grass®	TR-31S
32	TR-0036	Upper Housing, Mossy Oaks®, Shadow Grass®	
33	TR-0038	Bracket, Mossy Oaks®, Shadow Grass®	
34	TR-0050 ASY	Light Assembly	ALL Treks* (2004 to present)
35	TR-0051	Light Clip	
36	TR-0005 XBK	Lower Housing Asy, Black, Include key #'s 3, 34, 35 & 8	TR-31, TR-33 & TR-35
37	TR-0005 XWT	Lower Housing Asy, White, Include key #'s 3, 34, 35 & 10	TR-31W, TR-33W & TR-35W
38	TR-0005 XGY	Lower Housing Asy, Gray, Include key #'s 3, 34, 35 & 12	TR-31G, TR-33G & TR-35W

*Camo Models (TR-31S & TR-31B) will continue to use the older style Light

** This part will not accept the old style light you will need to upgrade the light and clip

Mounting Gasket for all the TR-35's **PART # TR-0027**

(This page intentionally left Blank)

Explorer

Production History (Rev info) 1987 to Present

All Explorers

2001: (Rev 3) Explorer Compasses received Wheelmark Certification.

B-51's, RA-91's, RA-93's, S-53's, & D-55

1999: (Rev 1) Modified capsule to improve performance.

1999: (Rev 2) Modified capsule to aid in production.

2001: (Rev 1) Changed color of bowl to green to produce filtered illumination.

2001: (Rev 2) Changed to Isopar L dampening fluid.

F-50's

1999: (Rev 1) Modified capsule to improve performance.

1999: (Rev 2) Modified capsule to aid in production.

2001: (Rev 1) Changed color of bowl to green to produce filtered illumination.

2001: (Rev 2) Changed to Isopar L dampening fluid.

V-57, V-57W S-58W, & S-59's

2001: (Rev 1) Changed to Isopar L dampening fluid.

V-57.2 & V-57W.2

2001: These Models replaced the V-57 and V-57W

V-527, V-537, V-537W, V-537B

2005: Began Production

Repair Tips

Explorers feature factory sealed dome/dial/bowl capsule. Most repairs require replacing the capsule.

B-51's & RA-91's

When removing the capsule from the upper housing, make sure the thumbscrews are backed out enough to clear the capsule.

RA-93's S-53's

To remove the capsule from the upper housing on a surface mount model pull the release buttons away from the capsule.

F-50-K & F-50-WT

Some older models use an O-ring and silicone. If you need to replace a capsule you will also need to replace the O-ring with the new gasket (page 3-6 item # 16).

S-58W, S-59 & S-59W

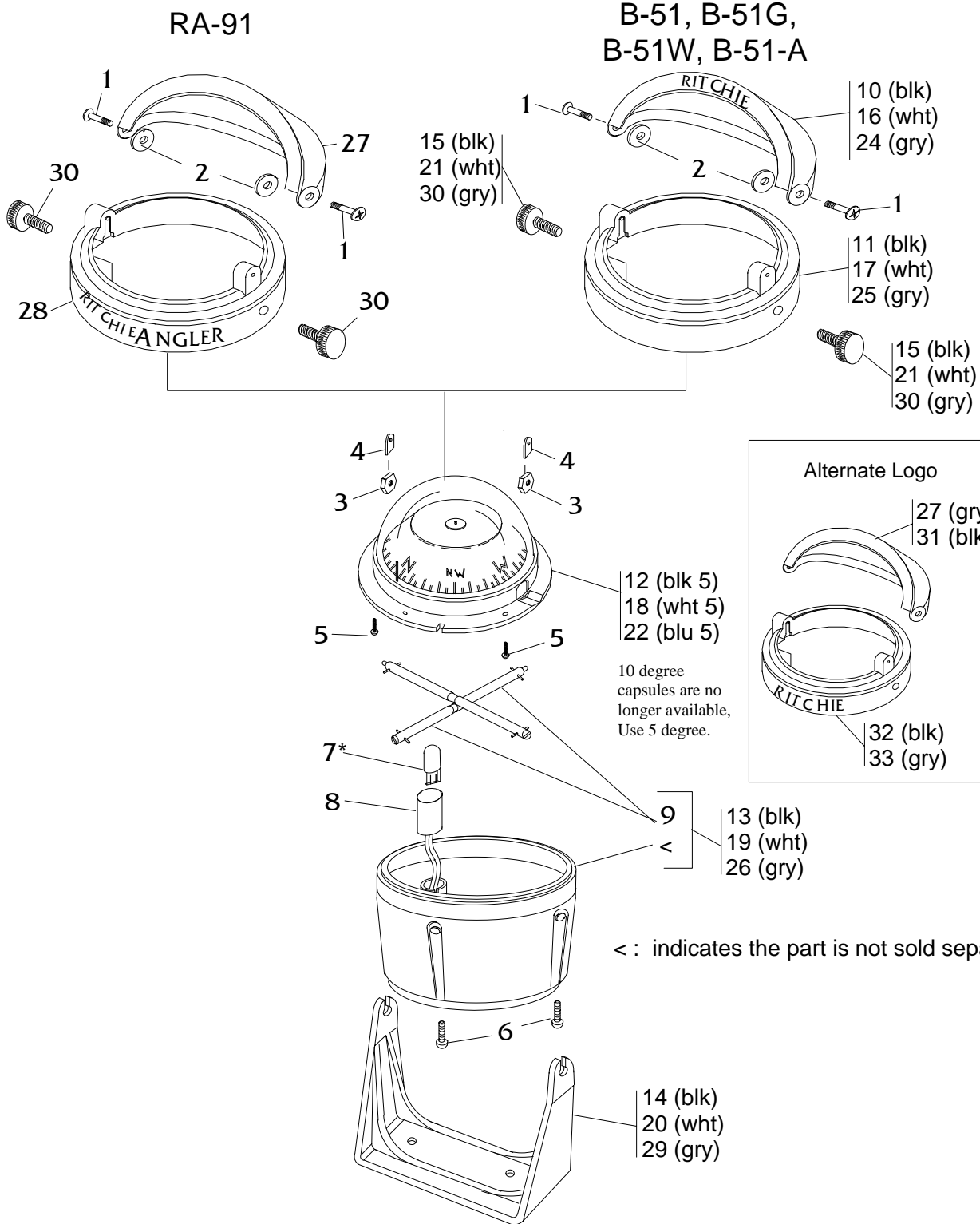
No disassembly is required; simply replace the movable bezel ring onto a replacement capsule. (Make sure that the rubber O-ring remained in place).

Helpful Hint -

To aid in bezel re-attachment, a small amount of dish soap works as a great lubricant.

Explorer

B-51, B-51G, B-51W, B-51-A, RA-91



Explorer

Parts List for Bracket Mounts

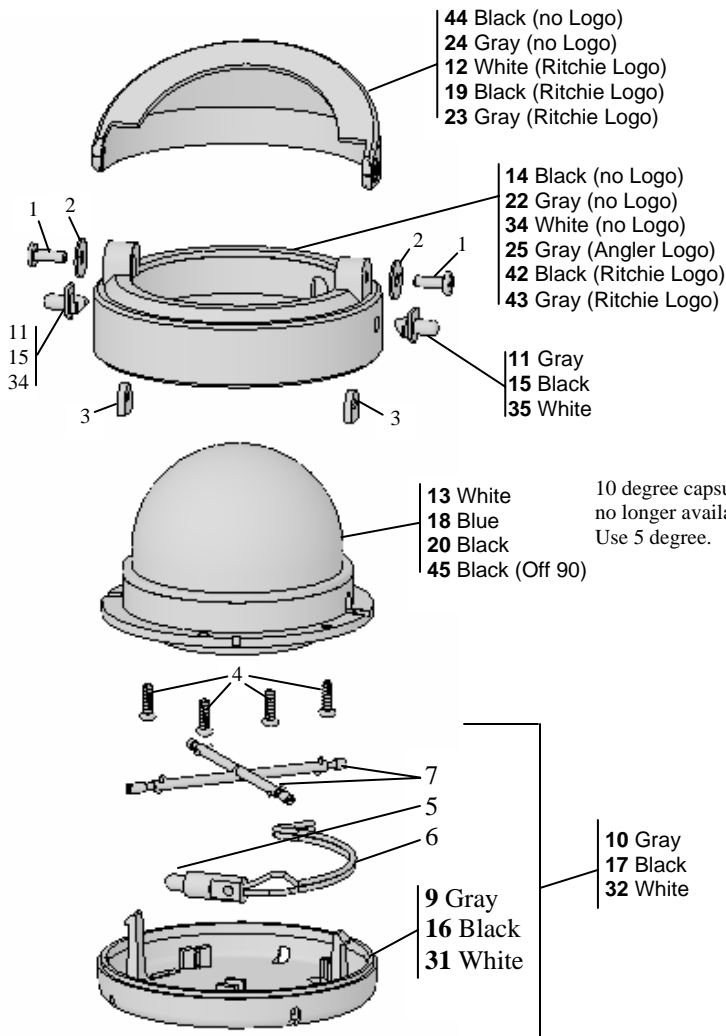
1	SH-0067	Screw, sunshade retaining	B-51, B-51G, B-51-A, B-51W, RA-91
2	SH-0083	Washer, sunshade	
3	SH-0037	Nut, thumbscrew retaining	
4	EX-0026	Nut, shade retaining	
5	SH-0062	Screw, 4-24 x 1/2, round. head	
6	EX-0032	Screw, 4 x 1/2, oval. head	
7	EX-0005*	Bulb, 12 volt subminiature wedge # 86	
8	EX-0022 ASY	Light socket and wire, Bulb included	
9	EX-0030 MAG	Compensator rod	
10	EX-0034	Sunshade, with "RITCHIE" logo, black	B-51
11	EX-0002 RAW	Bezel, black, NO LOGO	
12	EX-0006 ASY	Capsule, black 5° dial	
13	EX-0013	Housing, black, <i>Includes 2 of key # 9</i>	
14	EX-0004	Bracket, black	
15	SH-0077 ASY	Thumbscrew, black	B-51W
16	EX-0121	Sunshade, with "RITCHIE" logo, white	
17	EX-0174 RAW	Bezel, white, NO LOGO	
18	EX-0124 ASY	Capsule, white 5° dial	
19	EX-0123	Housing, white, <i>Includes 2 of key #9</i>	
20	EX-0177	Bracket, white	
21	EX-0173 ASY	Thumbscrew, white	RA-91 & B-51G
22	EX-0087 ASY	Capsule, blue 5° dial	
24	EX-0080	Sunshade, with "RITCHIE" logo, gray	B-51G
25	EX-0079 RAW	Bezel, gray, NO LOGO	
26	EX-0076	Housing, gray, <i>Includes 2 of key # 9</i>	RA-91
27	EX-0080 RAW	Sunshade, gray, NO LOGO	
28	EX-0084	Bezel, with "RitchieAngler" logo, gray	B-51G, RA-91, B-51A
29	EX-0073	Bracket, gray	
30	EX-0081 ASY	Thumbscrew, gray	
31	EX-0034 RAW	Sunshade, black, NO LOGO	Alternate logo options
32	EX-0002	Bezel, with "RITCHIE" logo, black	
33	EX-0079	Bezel, with "RITCHIE" logo gray	

*Alternate Lighting Voltages		
7	EX-0099	6 volt bulb, subminiature wedge #73
	EX-0098	24 volt bulb, subminiature wedge # 85

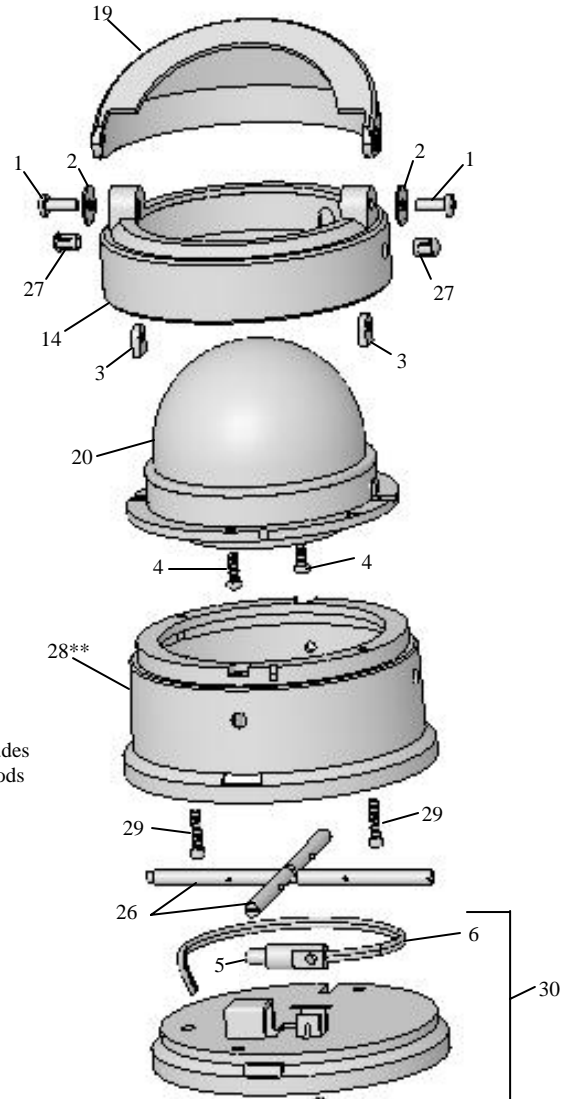
Explorer

D-55, RA-93, S-53, S-53W, S-53G, S-53-A, S-58W, S-59W

RA-93 & S-53'S

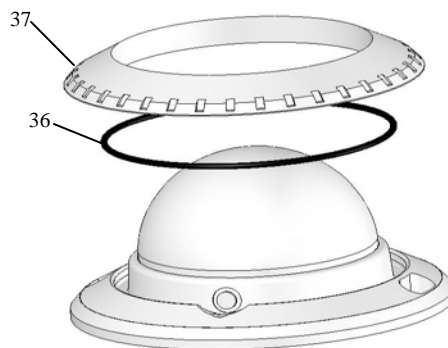


D-55



S-58W, S-59 & S-59W

Note: Capsules are not sold separately for the S-58's & S-59



Explorer

Parts List for Deck & Surface Mounts

1	SH-0067	Screw, sunshade retaining	S-53, S-53W, S-53G, S-53-A, RA-93, D-55
2	SH-0083	Washer, sunshade	
3	EX-0026	Nut, sunshade retaining	
4	SH-0062	Screw, capsule retaining	
5	EX-0005*	Bulb, 12 volt	
6	EX-0022 ASY	Light socket, wire & bulb	
7	EX-0102 MAG	Compensator rod	S-53, S-53W, S-53G, S-53-A, RA-93
8	EX-0104	Mounting Pads, adhesive, (strip of 3)	
9	EX-0105	Surface Mount Base, gray	S-53G, S-53A, RA-93
10	EX-0105 ASY	Surface Base Assembly, gray, <i>Includes Key #'s 5,6,7,9</i>	
11	EX-0106	Button, release, gray	
12	EX-0121	Sunshade, white, with "RITCHIE" logo	S-53W
13	EX-0124 ASY	Capsule, white 5° dial	
14	EX-0002 RAW	Bezel, black, NO LOGO	S-53
15	EX-0103	Button, release, black	
16	EX-0101	Surface Mount Base, black	
17	EX-0101 ASY	Surface Base Asy, black, <i>Includes Key #'s 5,6,7,16</i>	S-53G & RA-93
18	EX-0087 ASY	Capsule, blue 5° dial	
19	EX-0034	Sunshade, black, with Ritchie logo	S-53 & D-55
20	EX-0006 ASY	Capsule, black 5° dial	
22	EX-0079 RAW	Bezel, gray, NO LOGO	S-53-A, S-53G
23	EX-0080	Sunshade, gray, with "RITCHIE" logo	
24	EX-0080 RAW	Sunshade, gray, NO LOGO	RA-93
25	EX-0084	Bezel, gray, with "RitchieAngler" logo,	
26	EX-0031 MAG	Compensator rod	
27	SH-0046	Hole Plug	D-55
28	EX-0014	Lower Housing Includes 2 of Key #'s 26	
29	EX-0032	Screw, Housing Retaining	
30	EX-0001 ASY	Mounting Base Assembly	
31	EX-0175	Surface Mount Base, white	S-53W
32	EX-0175 ASY	Surface Base Asy, white, <i>Includes Key #'s 5,6,7,31</i>	
33	EX-0176	Button, release, white	
34	EX-0174 RAW	Bezel, white, NO LOGO	
36	SH-0127	O-ring, bezel retaining	S-58W, S-59, S-59W
37	EX-0129	Rotating Bezel, White	S-58W & S-59W
38	EX-0200	Rotating Bezel, Black	S-59
42	EX-0002	Bezel, black, with "RITCHIE" logo	Alternate logo
43	EX-0079	Bezel, gray, with "RITCHIE" logo	
44	EX-0034 RAW	Sunshade, black, NO LOGO	
45	EX-0226 ASY	Capsule, Black Special off 90 Degree Off Dial	S-OFF90

*Alternate Lighting Voltages		
5	EX-0099	6 volt bulb, subminiature wedge #73
	EX-0098	24 volt bulb, subminiature wedge # 85

Mounting Gasket for the D-55 Part # **EX-0012**

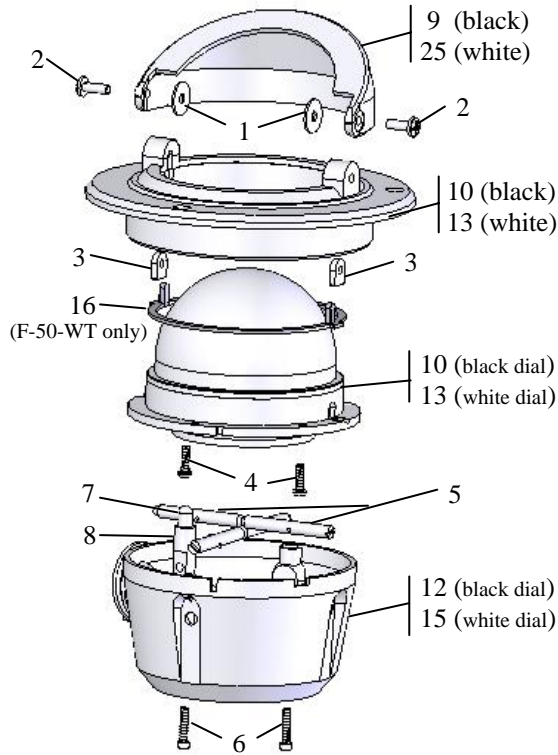
Mounting Gasket for the all the S-58 & S-59's Part # **EX-0133**

Mounting Tape for all the S-53's and RA-93 Part # **EX-0104**

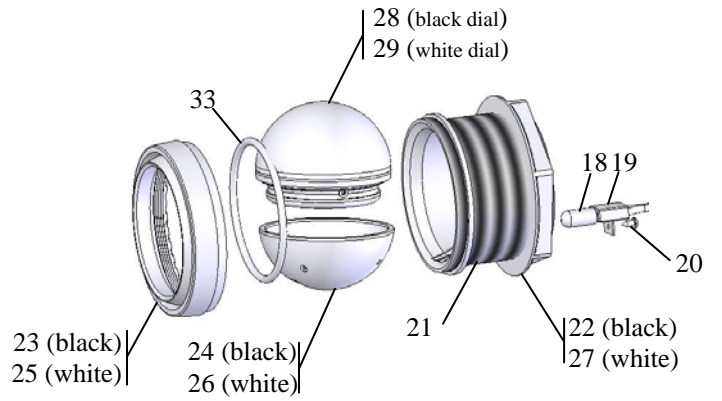
Explorer

F-50, F-50W, F-50-K, F-50-WT, V-57, V-57.2, V-57W, V-57W.2 V-527, V-537, V-537B, V-537W

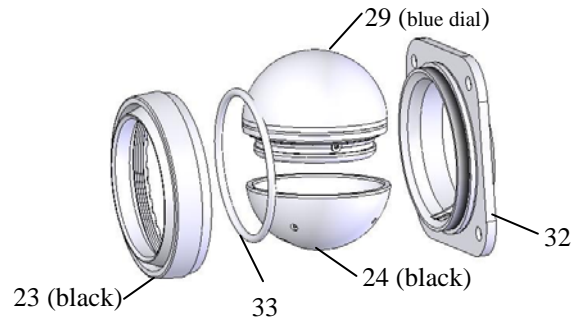
F-50, F-50W, F-50WT



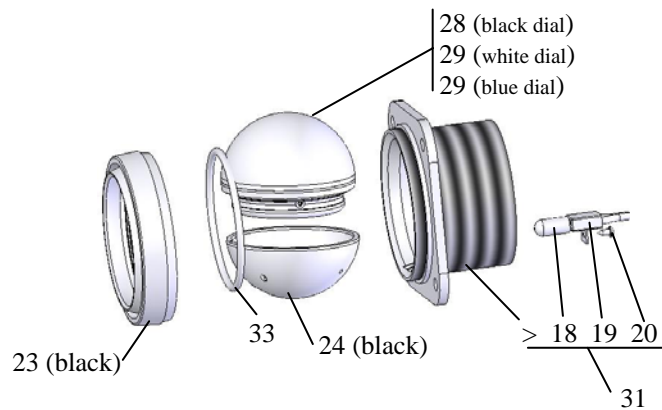
V-57, V-57.2, V-57W, V-57W.2



V-527



V-537, V-537B, V-537W



Explorer

Parts List for Flush & Bulkhead Mounts

1	SH-0083	Washer, sunshade	all F-50's
2	SH-0067	Screw, sunshade retaining	
3	EX-0026	Nut, sunshade retaining	
4	SH-0062	Screw, 4-24 x 1/2, Capsule to bezel	
5	EX-0031 MAG	Compensator rod	F-50, F-50W & F-50-WT
6	EX-0032	Screw, 4 x 1/2, ovl. head	
7	EX-0005*	Bulb, 12 volt	
8	EX-0022 ASY	Light socket, wire & bulb	
9	EX-0034	Sunshade, black, with Ritchie logo	F-50 & F-50-WT
10	EX-0038	Bezel, flush mount, black	
11	EX-0006 ASY	Capsule, black 5° dial	
12	EX-0013	Housing, black, <i>Includes 2 of key # 5</i>	
13	EX-0122	Bezel, flush mount, white	F-50W
14	EX-0124 ASY	Capsule, white 5° dial	
15	EX-0123	Housing, white, <i>Includes 2 of key # 5</i>	
16	EX-0247	Water Tight Gasket	
17	EX-0101	Base/cover, Black	F-50-K
18	EX-0057*	Bulb, 12 volt	all V-57's & V-537's
19	EX-0056 ASY	Light socket, wire and bulb	
20	SH-0066	Screw, 4 x 1/4	
21	EX-0055	Mounting base	
22	EX-0058	Mounting nut, black	V-57, V-57.2
23	EX-0059	Bezel, black	V-57, V-57.2, V-537's & V-527
24	EX-0053 ASY	Compensator Base, black, with comp rods	
25	EX-0114	Bezel, white	
26	EX-0117 ASY	Compensator Base, white, with comp rods	
27	EX-0116	Mounting nut, white	V-57W & V-57W.2
28	EX-0067 ASY	Capsule, black 5° dial	V-57, V-57.2 & V-537
29	EX-0118 ASY	Capsule, white 5° dial	V-57W, V-57.2, V-537W & V-527
30	EX-0233 ASY	Capsule, blue 5° dial	V-537B
31	EX-0230 ASY	Mounting Base w/ adapter and Light assembly	all V-537's
32	EX-0232 ASY	Mounting Base w/ adapter "Low Profile"	V-527
33	EX-0060	O-ring	all V-57's, V-537's & V-527

*Alternate Lighting Voltages		
1	EX-0099	6 volt bulb, subminiature wedge #73
	EX-0098	24 volt bulb, subminiature wedge # 85
19	EX-0100	24 volt bulb, miniature wedge # 12

The V-57 and V-57W were replaced by the V-57.2 and V-57W.2 in 2001. The .2's are the same as their predecessors but with a larger diaphragm in the capsule. The new capsules will fit in place of the old but you will need to replace the Light socket. The part numbers did not change.

Mounting Gasket for the F-50's **PART # EX-0039**

Mounting Gasket for all the V-57's **PART # EX-0061**

Mounting Gasket for all the V-527 & V-537's **PART # EX-0234**

(This page intentionally left blank)