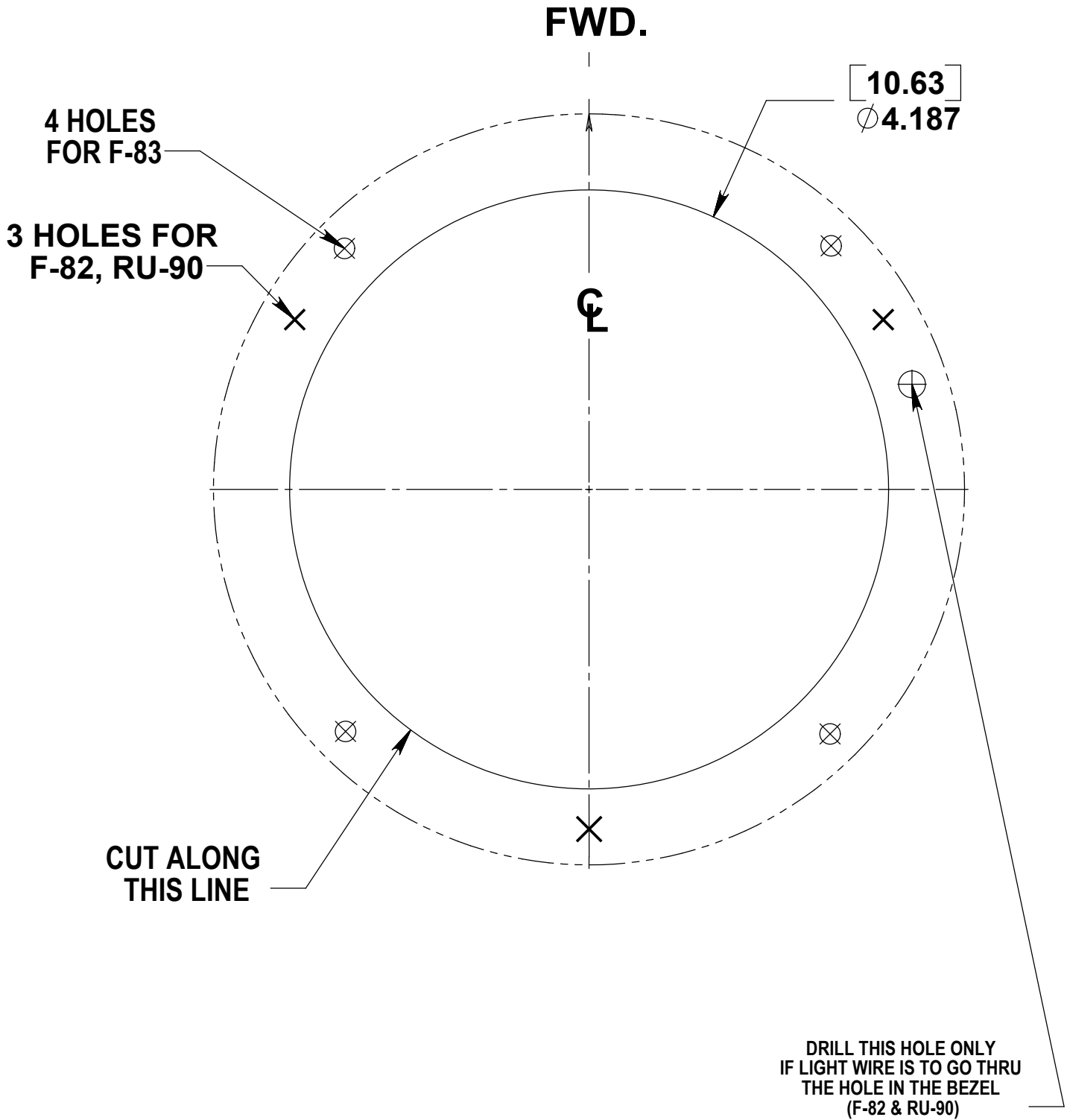


BE SURE CL IS PARALLEL WITH
KEEL OF BOAT BEFORE INSTALLING.



**MOUNTING TEMPLATE FOR
CATALOG Nos. F-82, F-83 & RU-90**

Part No. VY-0057
Rev D, 8/1/1996