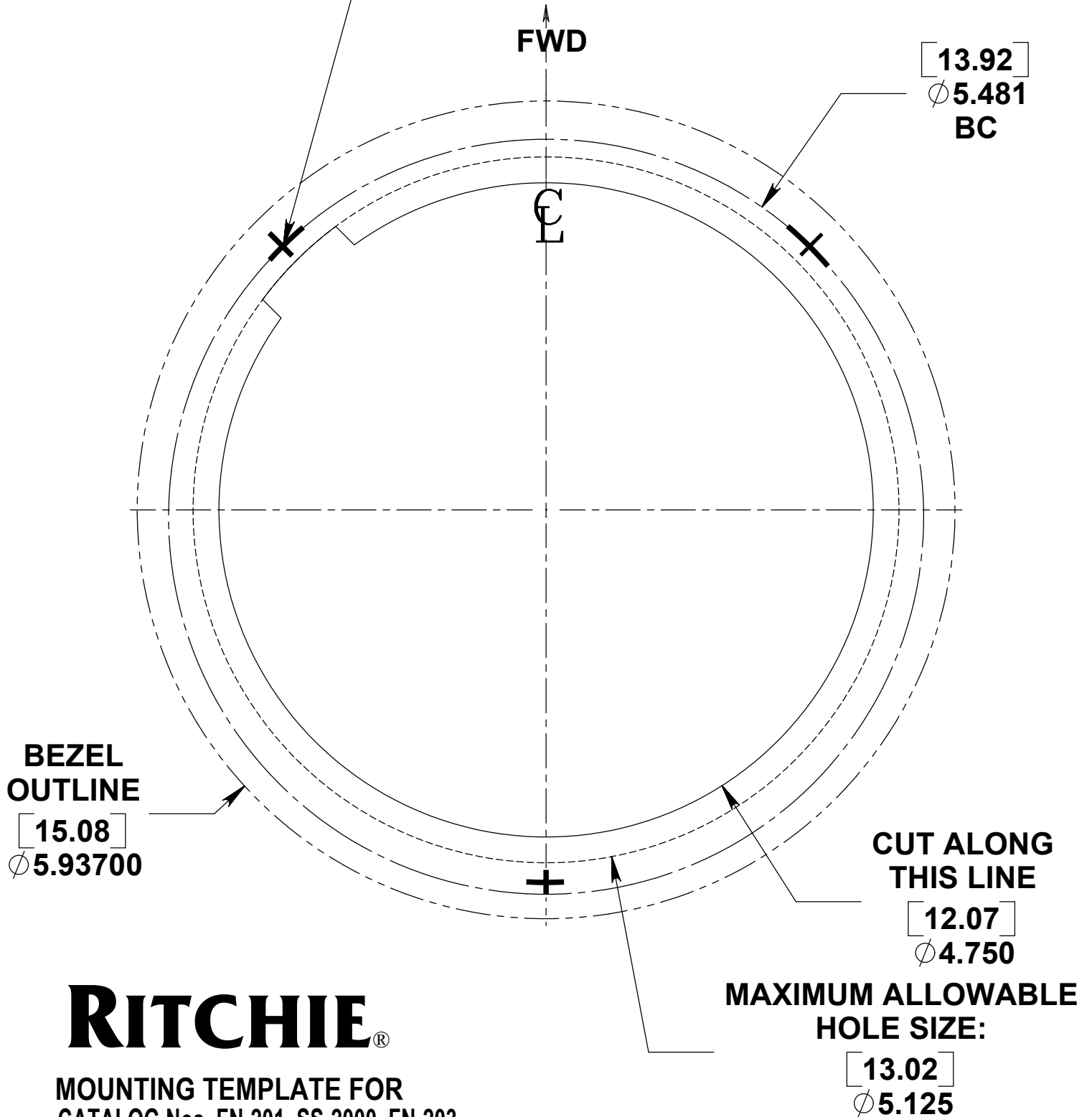


RECOMMEND DRILLING SCREW HOLES
BEFORE CUTTING LARGE HOLE

BE SURE CL IS PARALLEL WITH
KEEL OF BOAT BEFORE INSTALLING.



RITCHIE®

**MOUNTING TEMPLATE FOR
CATALOG Nos. FN-201, SS-2000, FN-203**

**PART No. NV-0076
Revised 05/23/2000
Rev D**