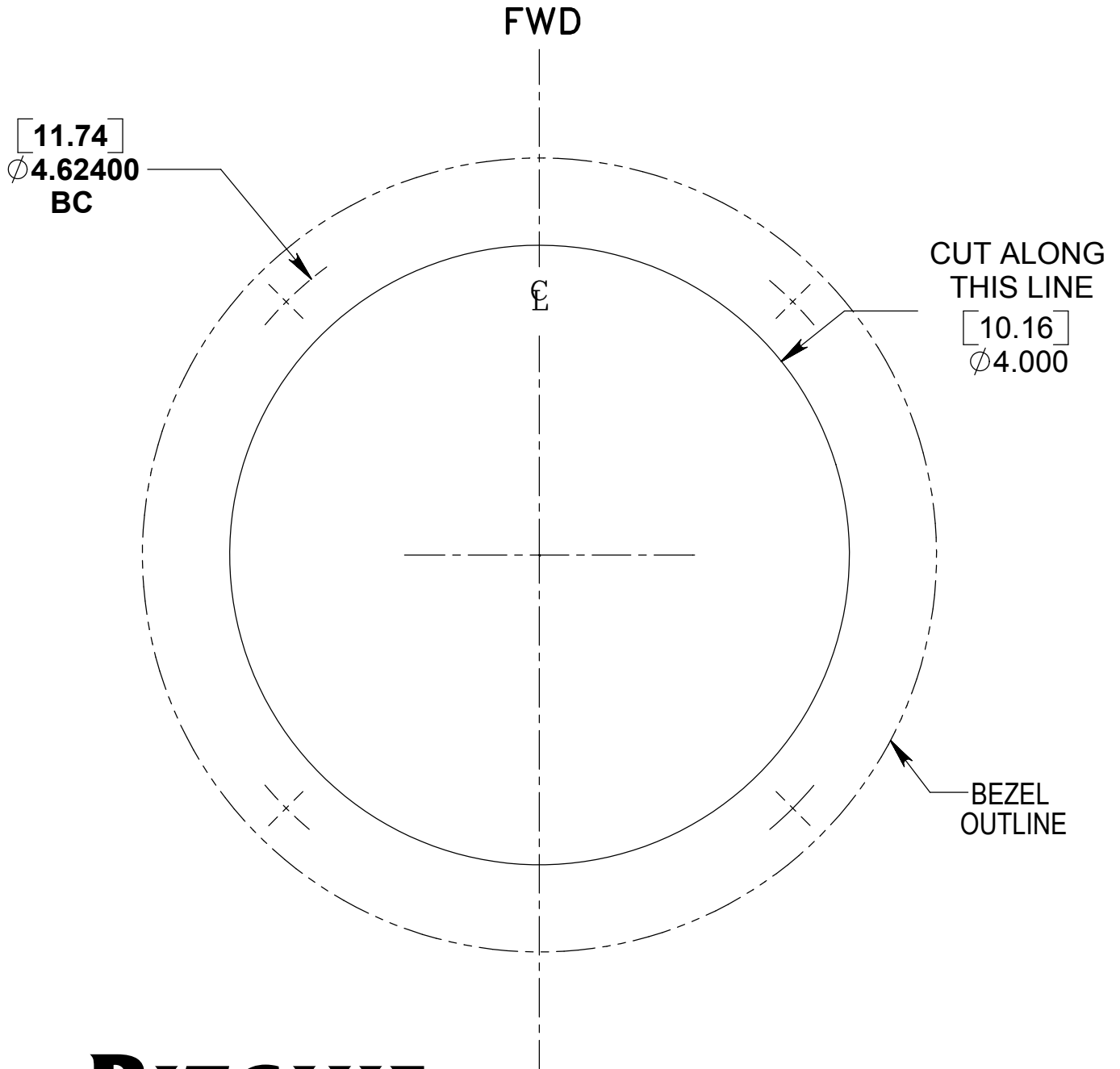


BE SURE  $\text{CL}$  IS PARALLEL WITH  
KEEL OF BOAT BEFORE INSTALLING.



**RITCHIE®**

**MOUNTING TEMPLATE FOR  
CATALOG Nos. HF-742,  
HF-743, SS-1002,**

**PART NO. HL-0231**

**12/02**