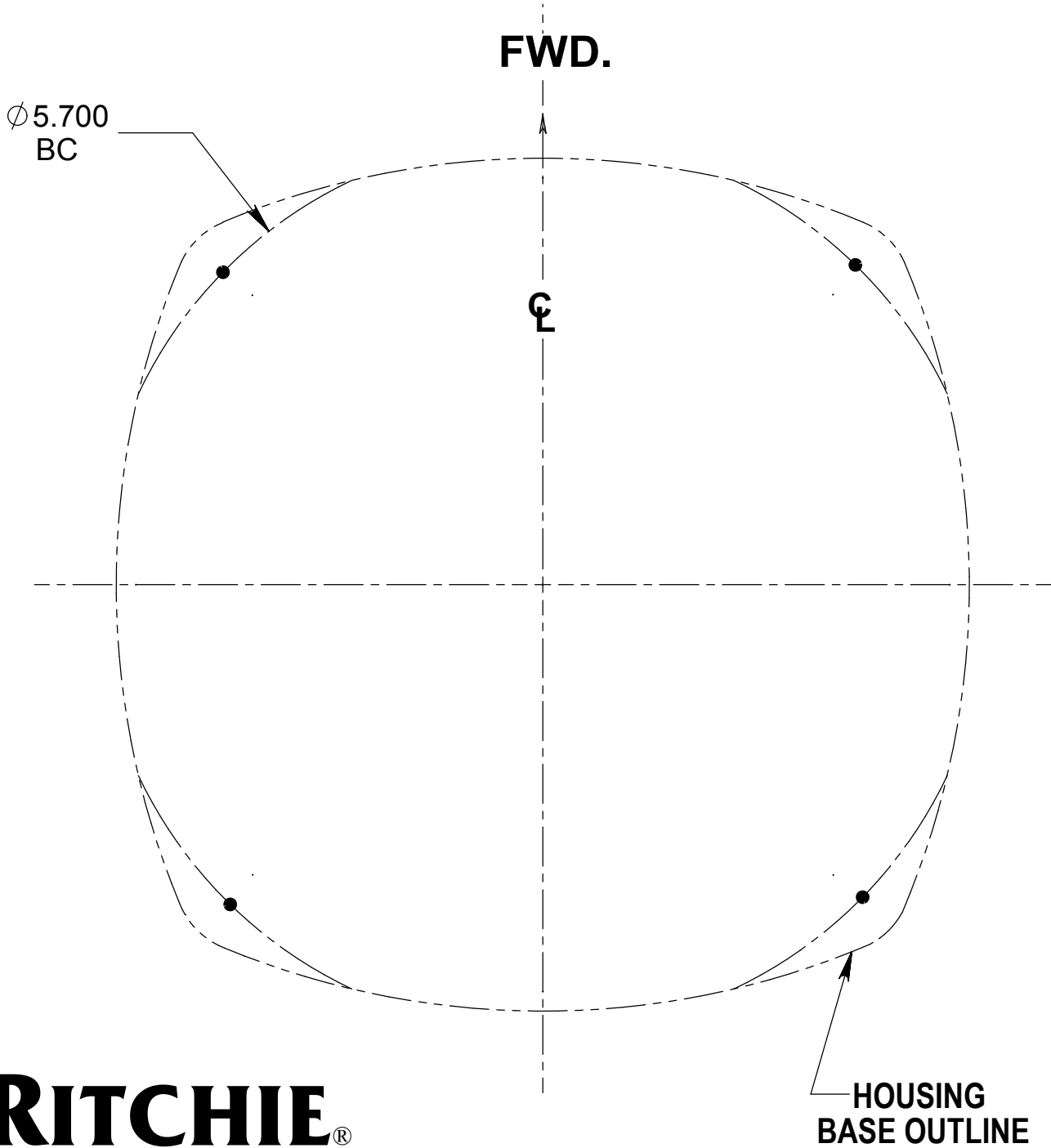


BE SURE CL IS PARALLEL WITH
KEEL OF BOAT BEFORE INSTALLING.



RITCHIE®

**MOUNTING TEMPLATE FOR
CATALOG Nos. HD-74 AND HD-75**

**PART NO. HL-0090
Revision Date - 02/01/1991**