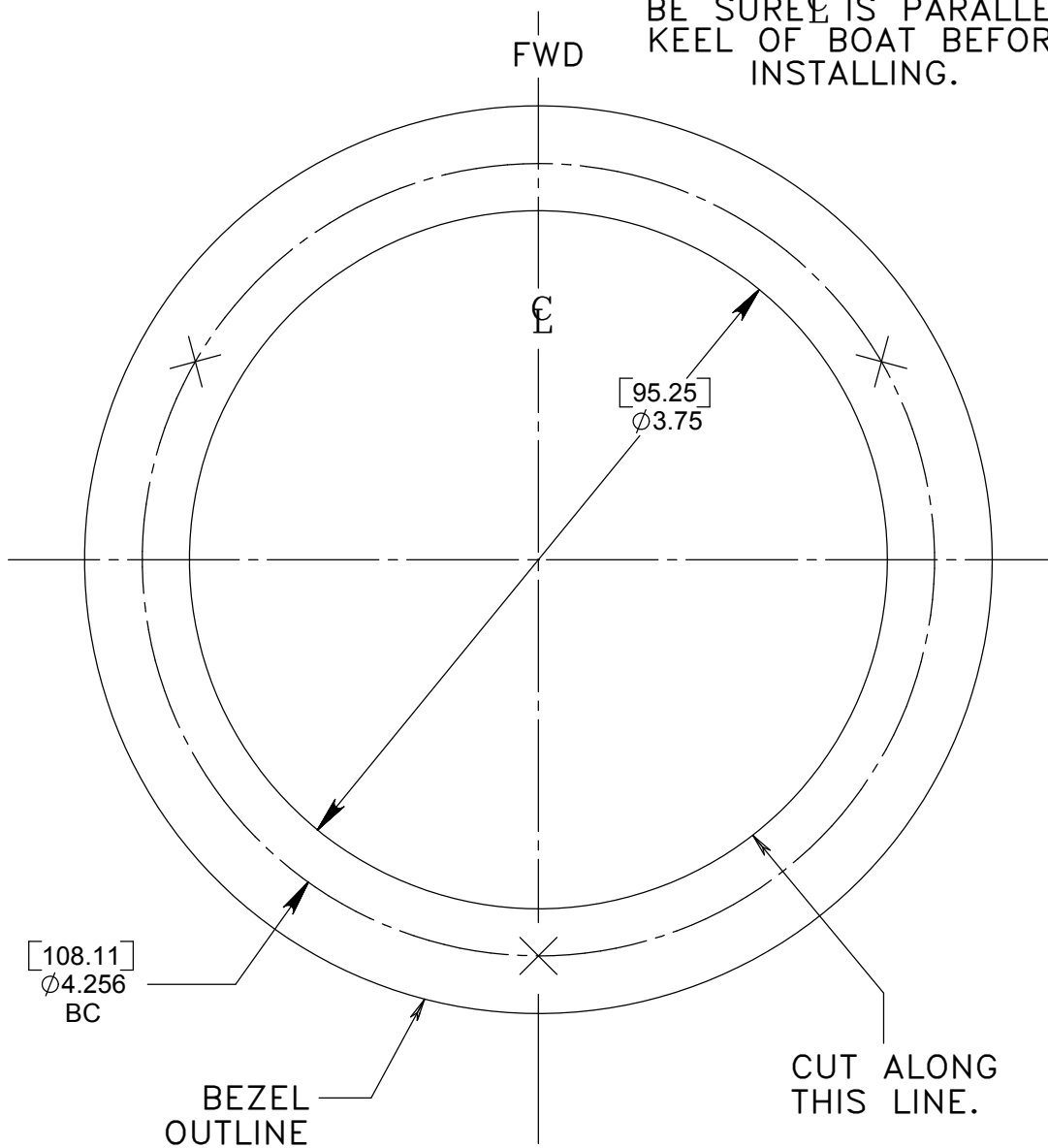


BE SURE C IS PARALLEL WITH
KEEL OF BOAT BEFORE
INSTALLING.



RITCHIE

MOUNTING TEMPLATE FOR
CATALOG NO. F-50

Part No. EX - 0040
Revision C, 10/07/96