

RECOMMEND DRILLING

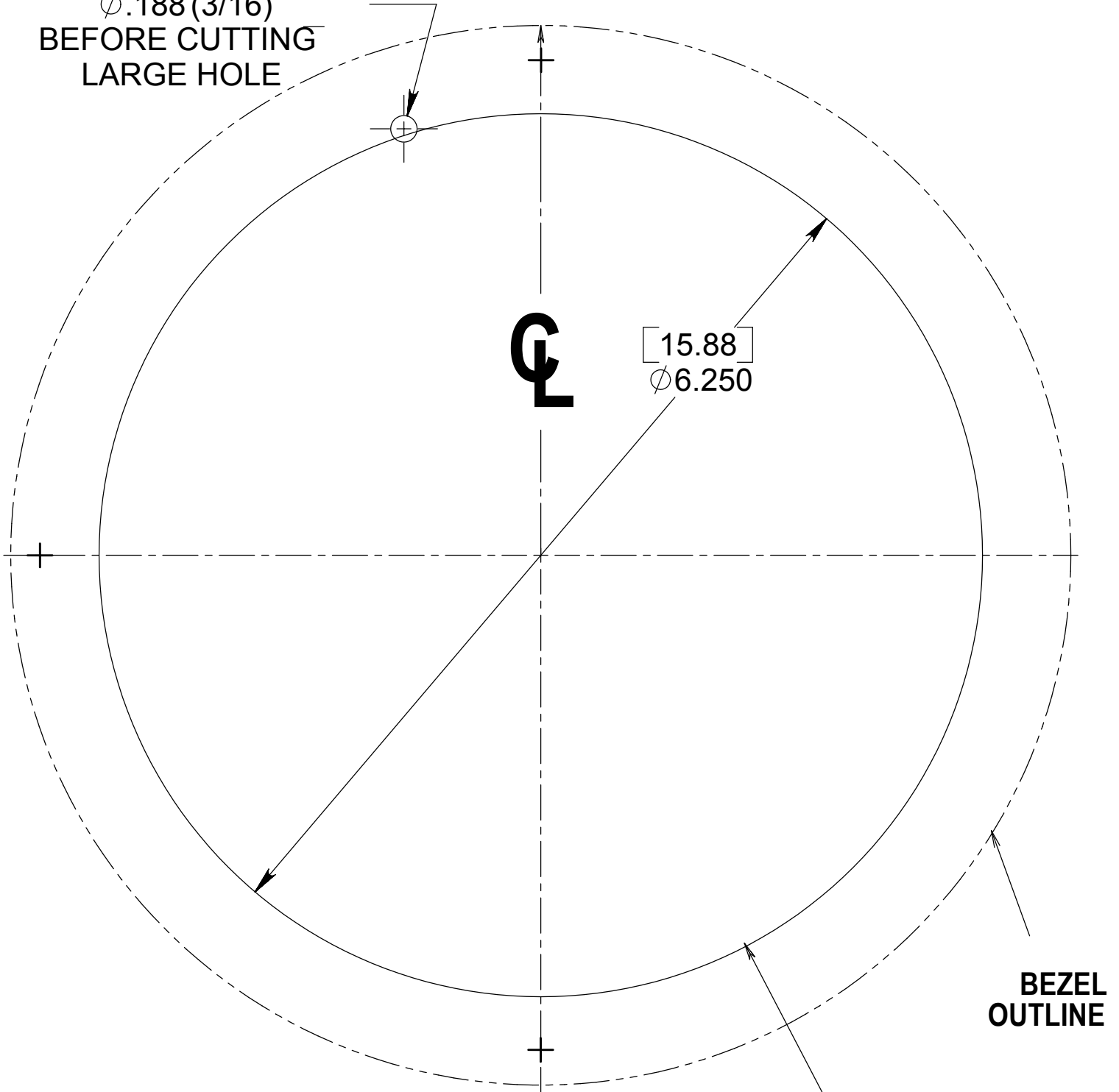
[0.48]

ϕ .188 (3/16)

BEFORE CUTTING
LARGE HOLE

FWD.

BE SURE ϕ IS PARALLEL WITH
KEEL OF BOAT BEFORE INSTALLING.



RITCHIE[®]

**MOUNTING TEMPLATE FOR
CATALOG Nos. FB-500, SS-5000,
SF-500**

PART NO. 5G-0108

Revision Date - 01/31/1991